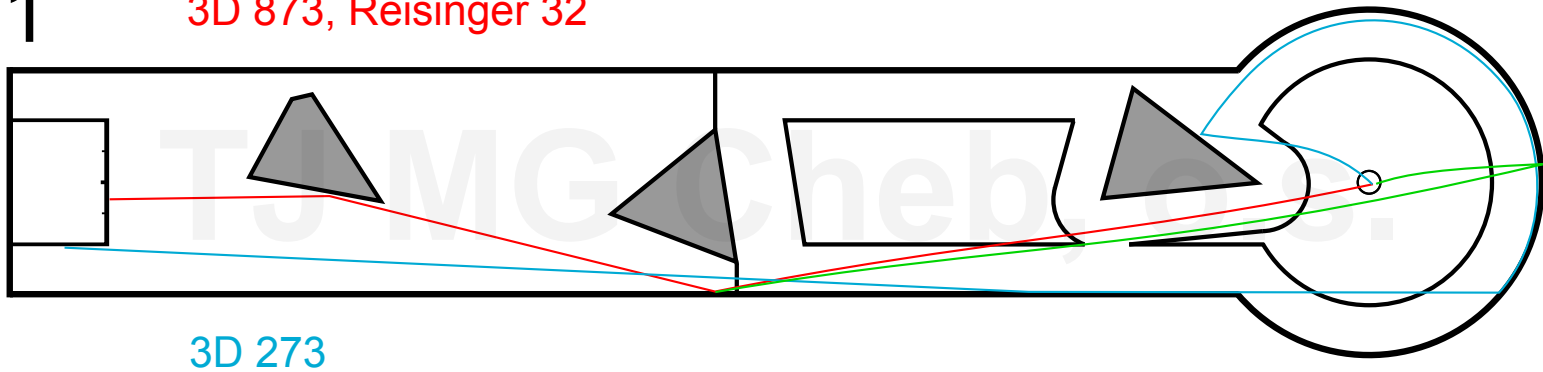
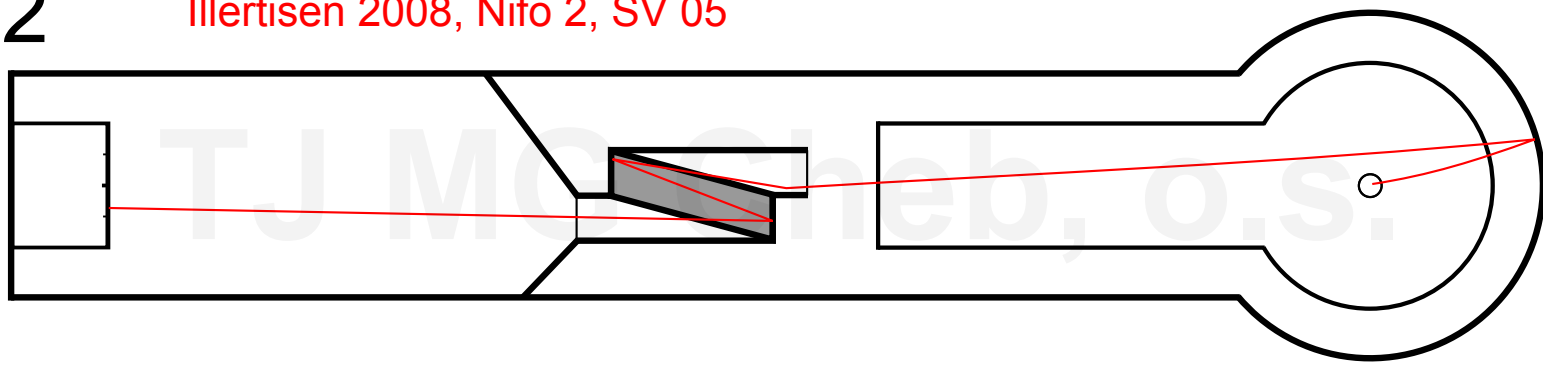


1 3D 873, Reisinger 32

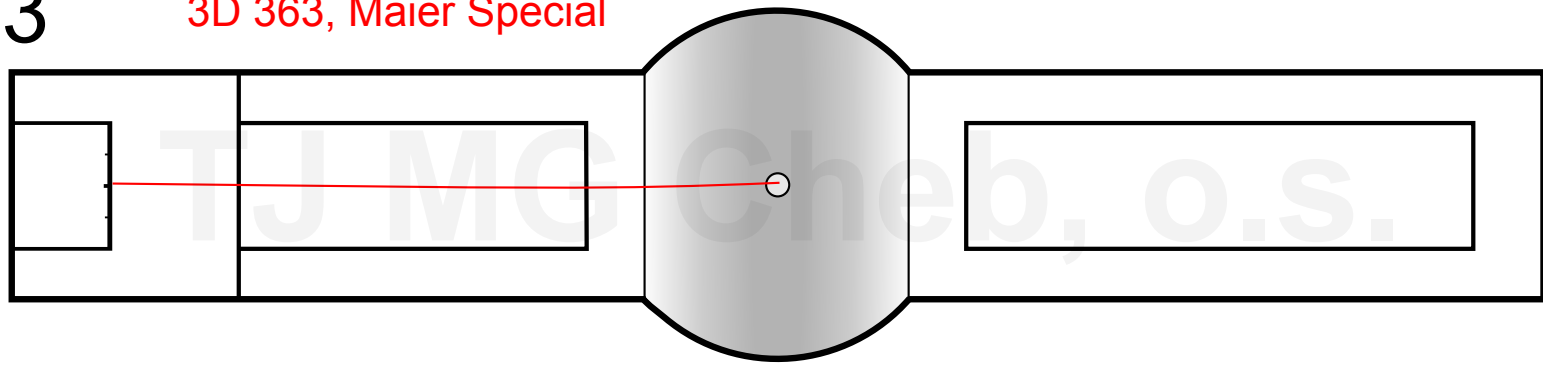


3D 273

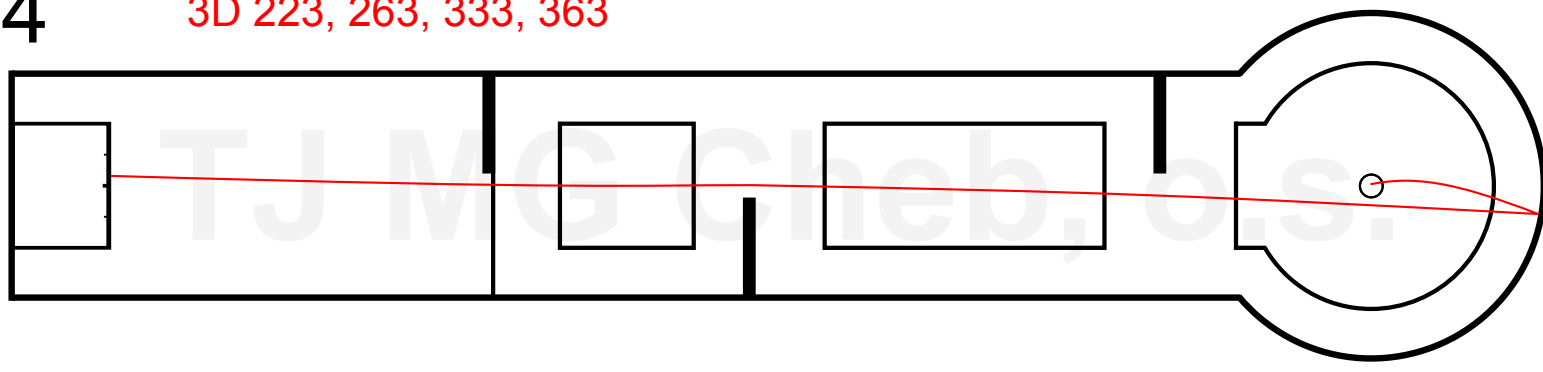
2 Illertisen 2008, Nifo 2, SV 05



3 3D 363, Maier Special



4 3D 223, 263, 333, 363

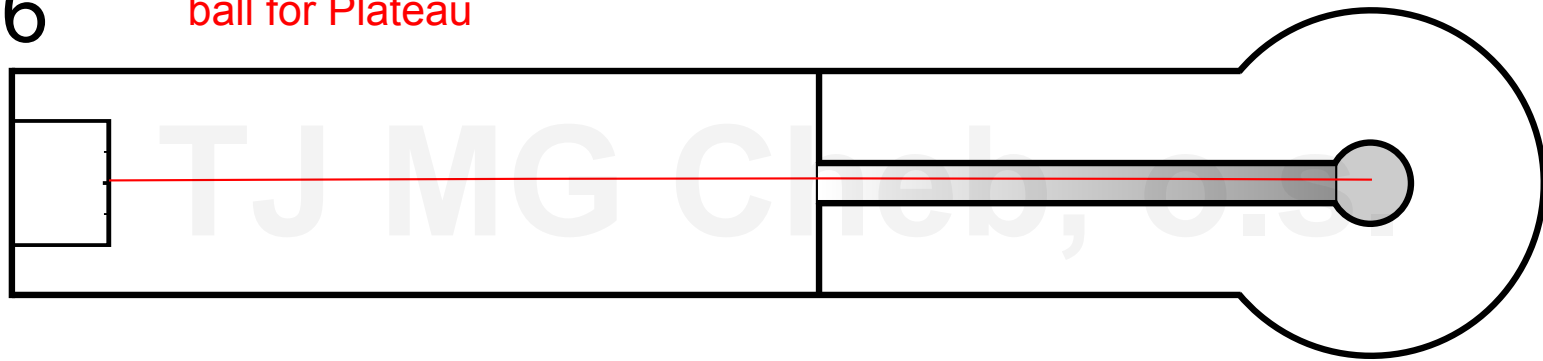


5 ball for Labyrinth



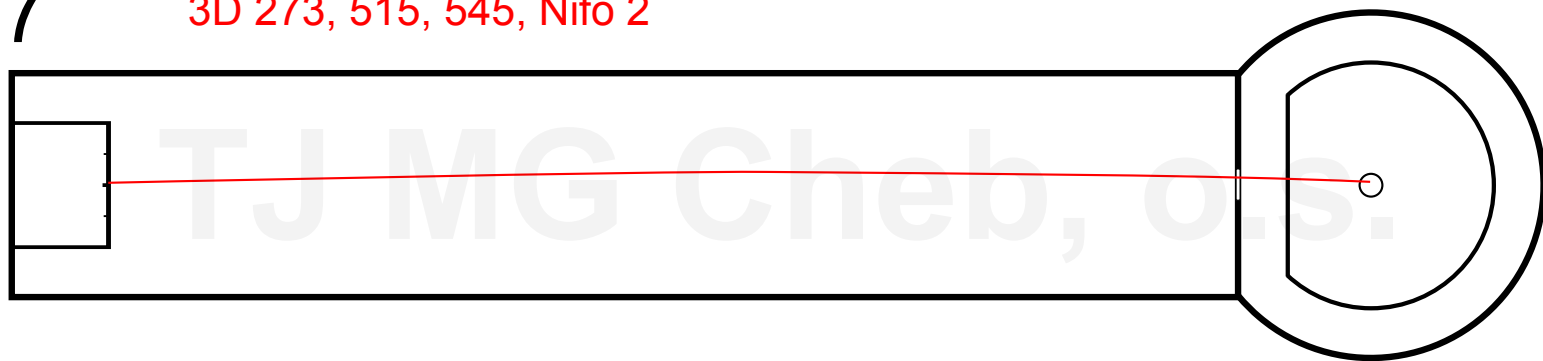
6

ball for Plateau



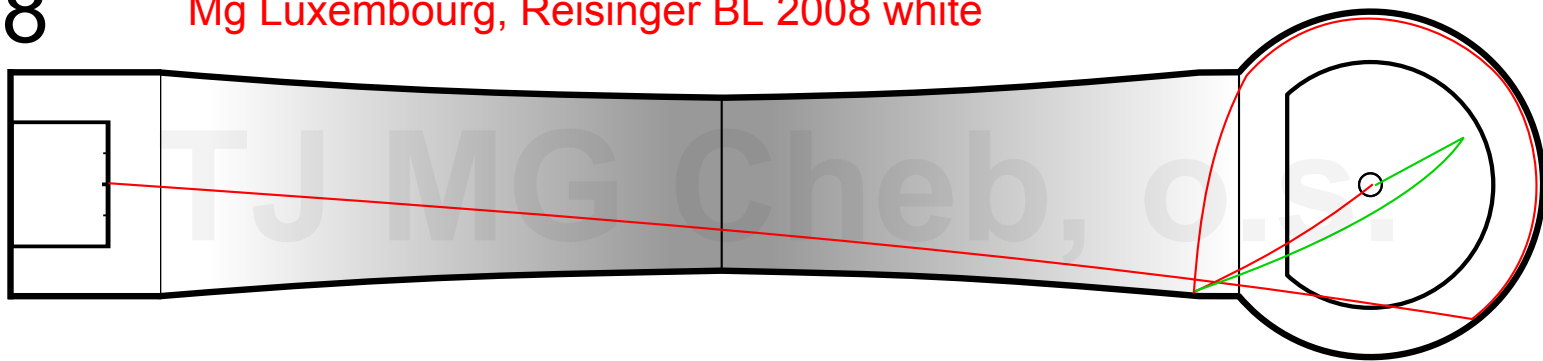
7

3D 273, 515, 545, Nifo 2



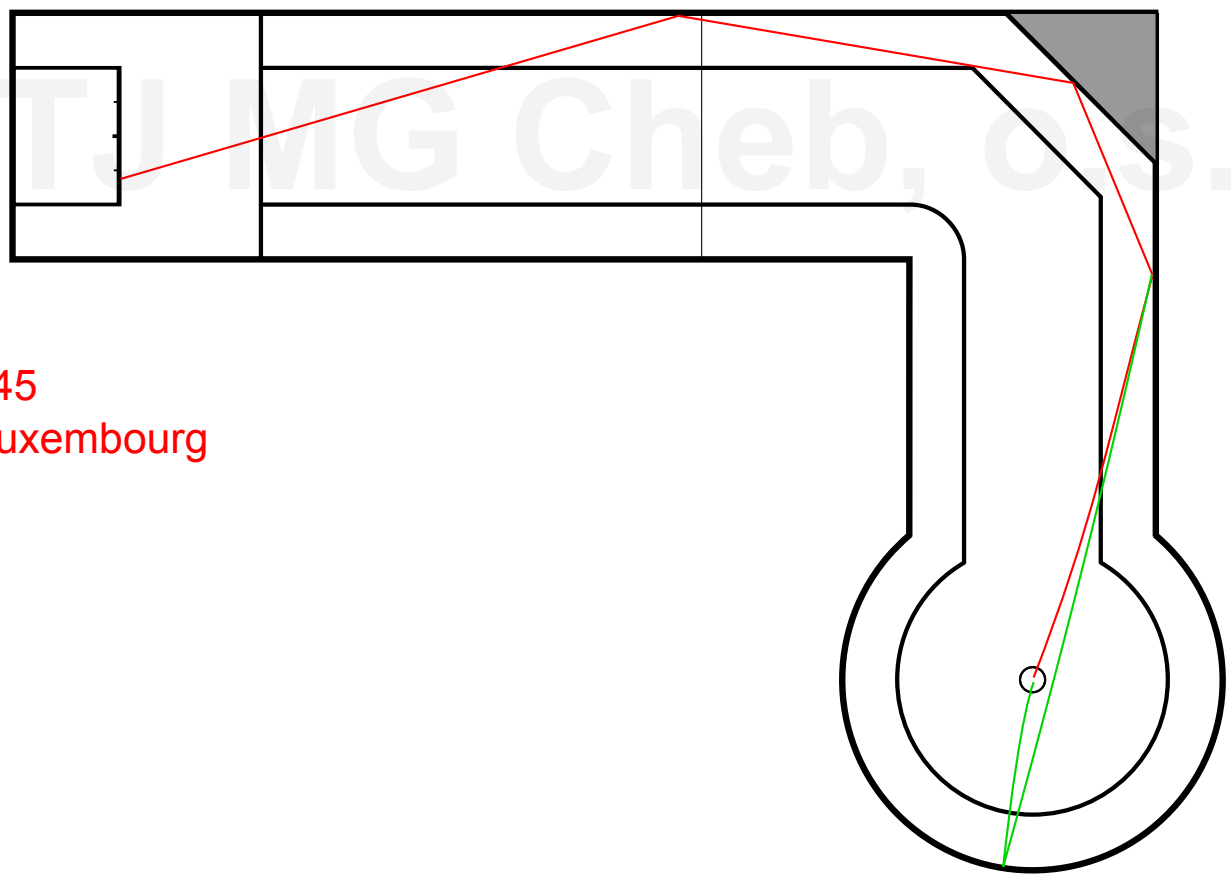
8

Mg Luxembourg, Reisinger BL 2008 white



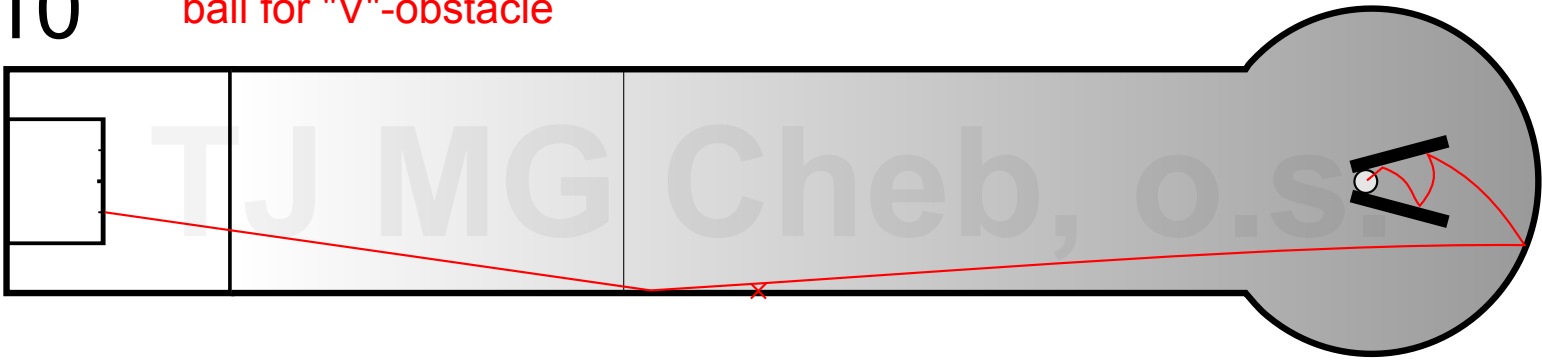
9

3D 545
Mg Luxembourg



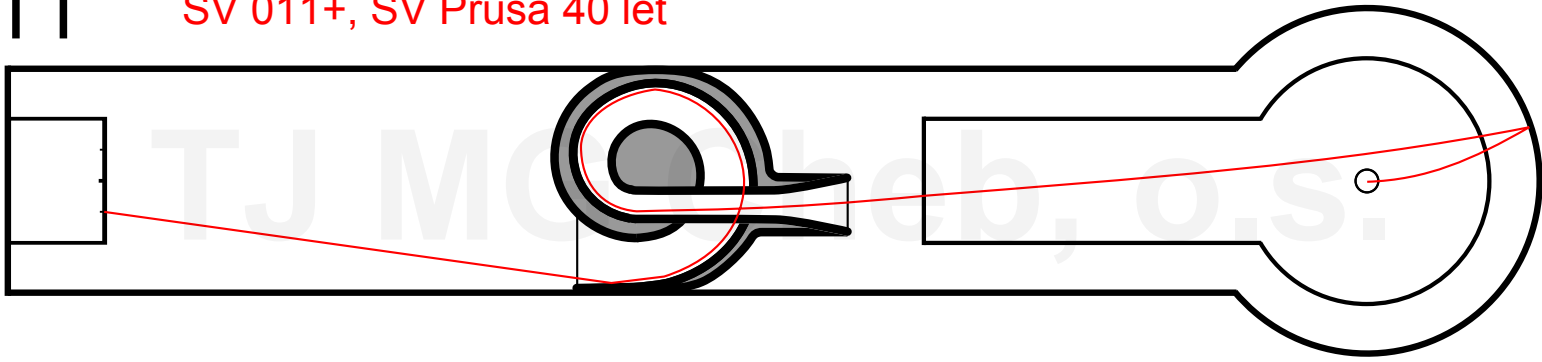
10

ball for "V"-obstacle



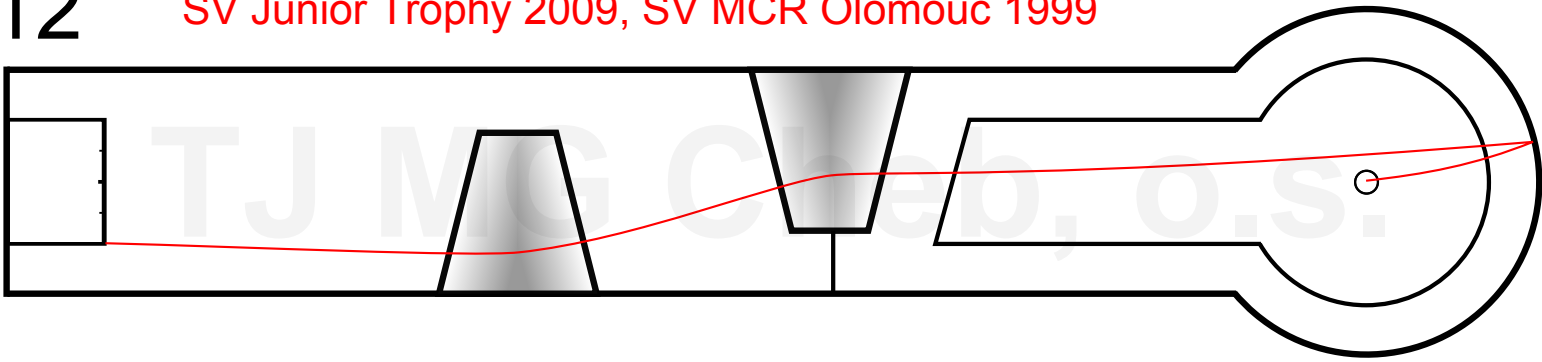
11

SV 011+, SV Průša 40 let



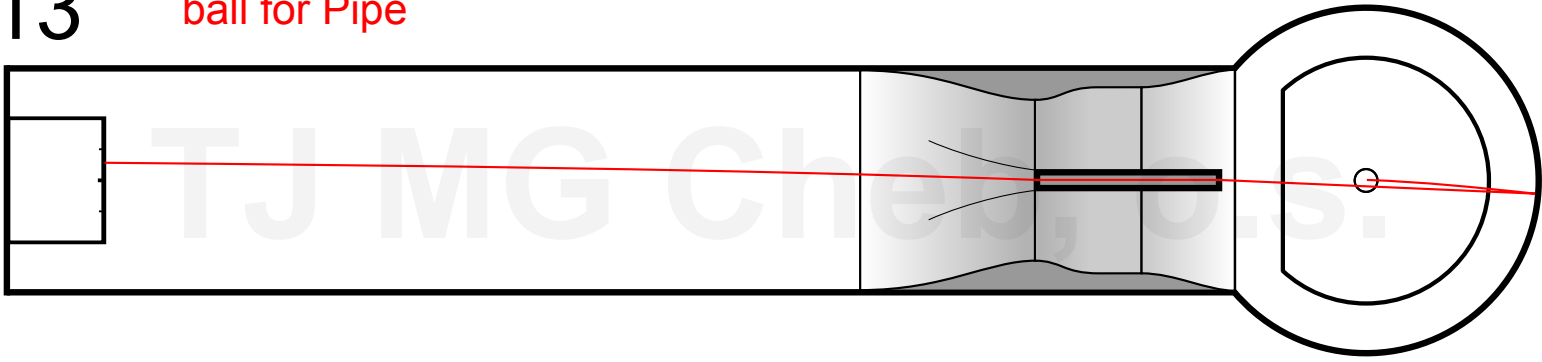
12

SV Junior Trophy 2009, SV MČR Olomouc 1999



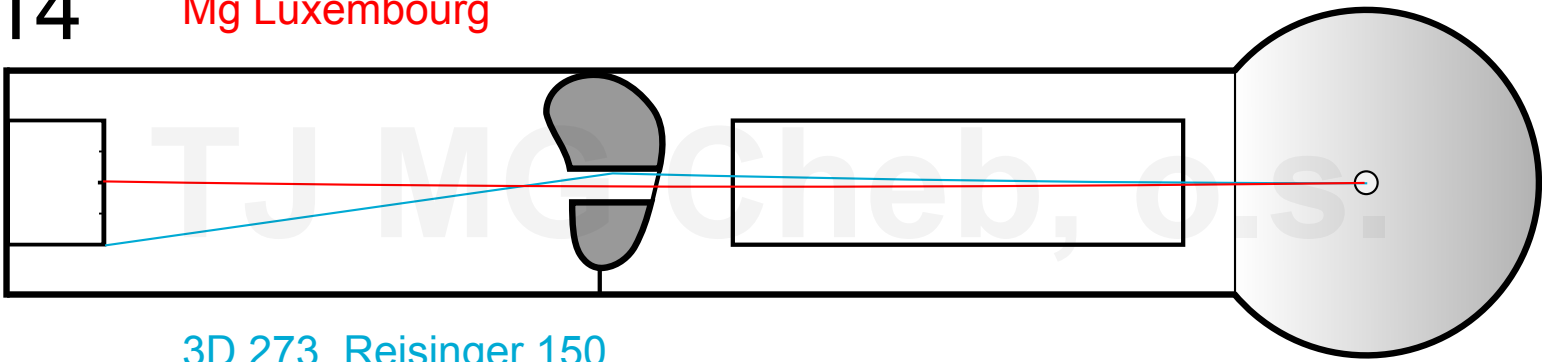
13

ball for Pipe



14

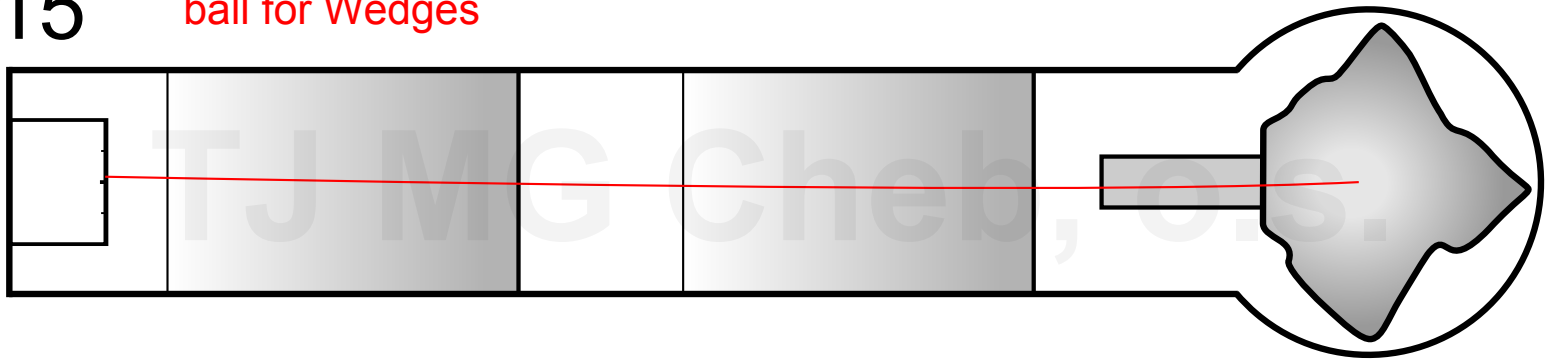
Mg Luxembourg



3D 273, Reisinger 150

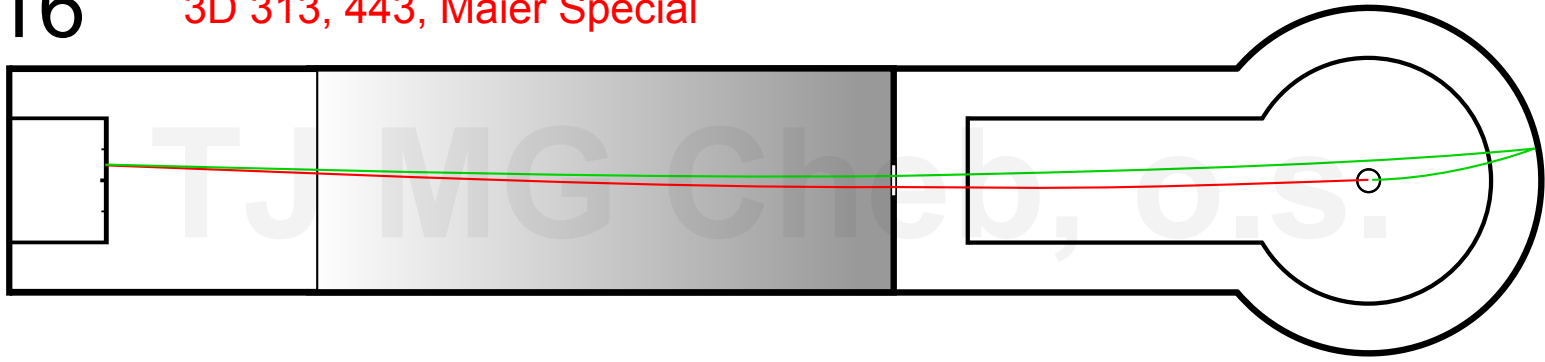
15

ball for Wedges



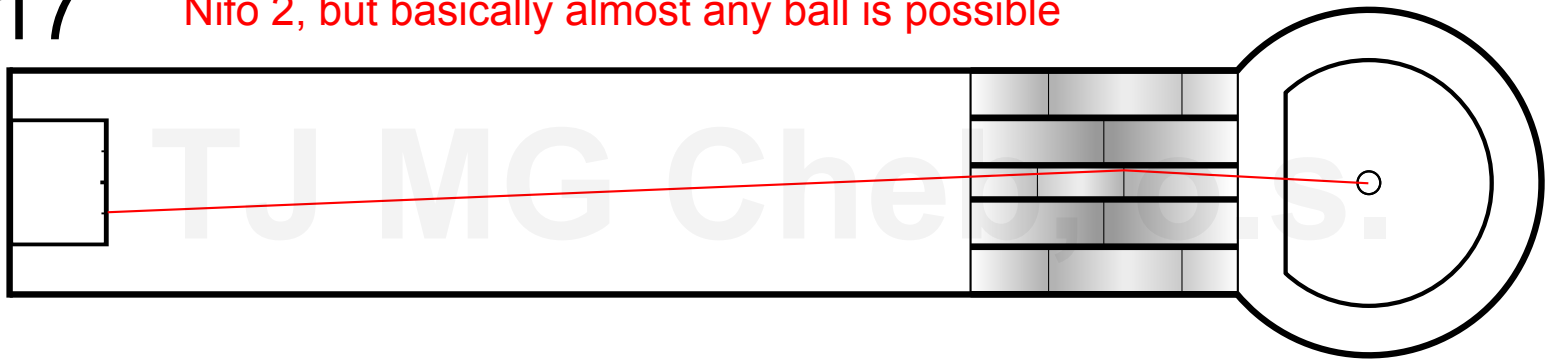
16

3D 313, 443, Maier Special



17

Nifo 2, but basically almost any ball is possible



18

Mg Luxembourg
SV František Nečekal 50 let

